



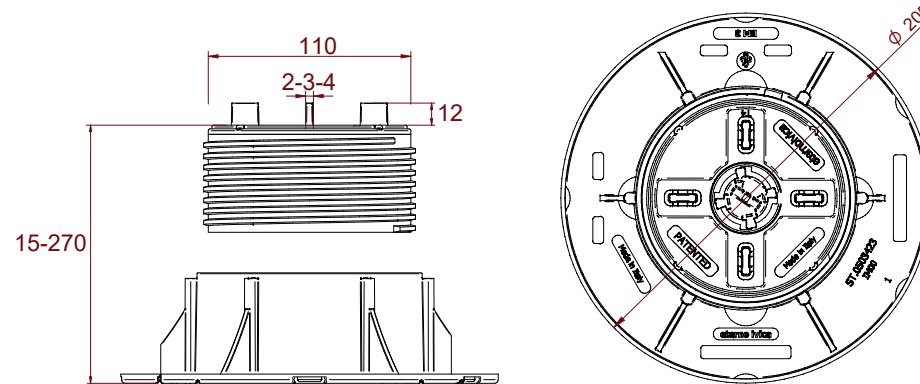
# TECHNICAL DATA SHEET

## PEDESTAL NM

### SELF-EXTINGUISHING UL94 V0

# eternoivica

INNOVATION LEADER



#### TECHNICAL SPECIFICATION:

Supply and installation of supports for raised floors type "NM SELF-EXTINGUISHING UL94 V0", adjustable in height, equipped with bi-material head, with anti-noise and anti-slip rubber UL94 V0 finish. The supports are composed of polypropylene UL94 V0 elements consisting of a cylindrical base with a minimum diameter of 205mm, a screw with an adjustable height from 15mm up to 270mm, equipped with an anti-screwing safety lock and a head equipped with N°4 spacer wings, h 12mm 2-3-4mm thick, easily removable if necessary. In the base there are holes for the outflow of water and N°2 grooves to facilitate the manual cutting if needed. The height adjustment is carried out using the tailored adjustment key, which acts on the screw independently from both the head and the base. It is possible to increase the height of the supports by using the PNM UL94 V0 extension. Slope compensation is performed by using the TWIST TW compensator.

#### CHARACTERISTICS:

Self-extinguishing UL94 V0  
Adjustable in height  
Bi-component material head (PP UL94 V0 + rubber UL94 V0)  
Tailored key for height adjustment  
Easy removable tabs  
Anti-screwing safety lock  
Manually fracturable base

#### RAW MATERIAL:

Polypropylene UL94 V0 and rubber UL94 V0 (head top finishing)

#### ENVIRONMENTAL IMPACT:

recyclable material - not dangerous

#### APPLICATIONS SURFACES:

On any waterproofing membrane  
On any insulating hard panel  
On any compact and solid surface

#### APPLICATIONS AREA:

Can be used with any prefabricated self supporting element for outdoor flooring

#### GENERAL CHARACTERISTICS & PROPERTIES

	UNIT	VALUE	TOLERANCE +/-
BASE DIAMETER	mm	205	+/- 1.0
BASE THICKNESS	mm	2	+/- 0.2
HEAD DIAMETER	mm	110	+/- 0.8
SURFACE OF THE BASE	cmq	330	+/- 5
TABS THICKNESS	mm	2-3-4	+/- 0.2
TABS HEIGHT	mm	12	+/- 0.2
SHORE	Shore d	70	+/- 3
RAW MATERIAL EXTINGUISHING CLASS PP: UL94 V0	mm	1.6	
RAW MATERIAL EXTINGUISHING CLASS TPE: UL94 V0	mm	2.3	
LOW T(°C) REACTION	°C	-40	



TECHNICAL DATA SHEET  
PEDESTAL NM  
SELF-EXTINGUISHING UL94 V0



## ITEMS CHARACTERISTICS &amp; PROPERTIES

<b>NM0_E014015027.V0</b>	UNIT	VALUE	TOLERANCE	PACK/STORAGE	
min HEIGHT	mm	15	+/- 1,0	PIECES PER BOX	20
MAX HEIGHT	mm	25	+/- 1,5	BOXES PER PALLET	84
WEIGHT	kg	0.16	+/- 5 %	BOX DIMENSION	40x40x14cm
MAX CENTRAL COMPRESSION RESISTANCE*	kN	16.5	/	BOX WEIGHT	3.5Kg
				PALLET	80x120cm
				PCS PER PALLET	1680

<b>NM1_E014025047.V0</b>	UNIT	VALUE	TOLERANCE	PACK/STORAGE	
min HEIGHT	mm	25	+/- 1,0	PIECES PER BOX	20
MAX HEIGHT	mm	40	+/- 1,5	BOXES PER PALLET	66
WEIGHT	kg	0.212	+/- 5 %	BOX DIMENSION	39.5x39.5x20cm
MAX CENTRAL COMPRESSION RESISTANCE*	kN	31.18	/	BOX WEIGHT	4.5kg
MAX ECCENTRIC COMPRESSION RESISTANCE*	kN	15.19	/	PALLET	80x120cm
				PCS PER PALLET	1320

<b>NM2_E014040077.V0</b>	UNIT	VALUE	TOLERANCE	PACK/STORAGE	
min HEIGHT	mm	40	+/- 1,0	PIECES PER BOX	20
MAX HEIGHT	mm	70	+/- 1,5	BOXES PER PALLET	54
WEIGHT	kg	0.276	+/- 5 %	BOX DIMENSION	40x40x25cm
MAX CENTRAL COMPRESSION RESISTANCE*	kN	38.67	/	BOX WEIGHT	5.8kg
MAX ECCENTRIC COMPRESSION RESISTANCE*	kN	21.48	/	PALLET	80x120cm
				PCS PER PALLET	1080

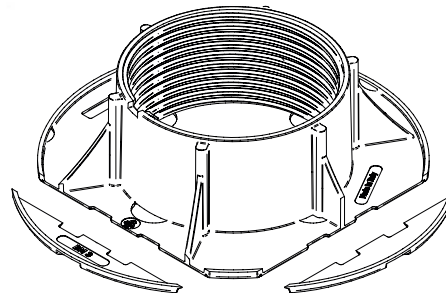
<b>NM3_E014060107.V0</b>	UNIT	VALUE	TOLERANCE	PACK/STORAGE	
min HEIGHT	mm	60	+/- 1,0	PIECES PER BOX	20
MAX HEIGHT	mm	100	+/- 1,5	BOXES PER PALLET	42
WEIGHT	kg	0.341	+/- 5 %	BOX DIMENSION	40x40x32cm
MAX CENTRAL COMPRESSION RESISTANCE*	kN	46.53	/	BOX WEIGHT	7.1kg
MAX ECCENTRIC COMPRESSION RESISTANCE*	kN	26.07	/	PALLET	80x120cm
				PCS PER PALLET	840

<b>NM4_E014090167.V0</b>	UNIT	VALUE	TOLERANCE	PACK/STORAGE	
min HEIGHT	mm	90	+/- 1,0	PIECES PER BOX	20
MAX HEIGHT	mm	160	+/- 1,5	BOXES PER PALLET	30
WEIGHT	kg	0.43	+/- 5 %	BOX DIMENSION	40x40x42cm
MAX CENTRAL COMPRESSION RESISTANCE*	kN	29.57	/	BOX WEIGHT	8.9kg
MAX ECCENTRIC COMPRESSION RESISTANCE*	kN	16.75	/	PALLET	80x120cm
				PCS PER PALLET	600

<b>NM5_E014150277.V0</b>	UNIT	VALUE	TOLERANCE	PACK/STORAGE	
min HEIGHT	mm	150	+/- 1,0	PIECES PER BOX	20
MAX HEIGHT	mm	270	+/- 1,5	BOXES PER PALLET	21
WEIGHT	kg	0.61	+/- 5 %	BOX DIMENSION	32x80x40cm
MAX CENTRAL COMPRESSION RESISTANCE*	kN	28.60	/	BOX WEIGHT	12.5kg
MAX ECCENTRIC COMPRESSION RESISTANCE*	kN	18.89	/	PALLET	80x120cm
				PCS PER PALLET	420

\*Tests made by Civil and Environmental Department of University of Padova. 1 kN = 102 kg

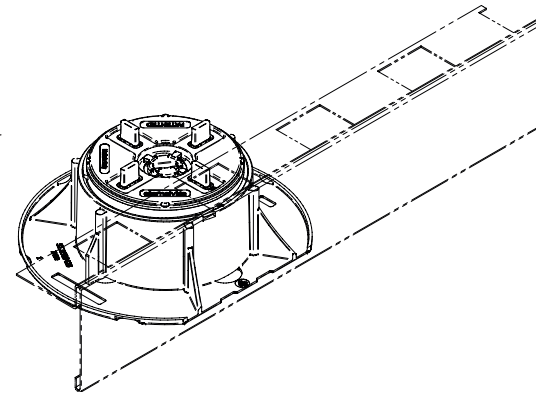


**FRACTURABLE BASE:**

The base has 2 pre-cuts from which it is possible to split the extra base part by hand when laying on the wall edges or risers, without the need for auxiliary tools.

**SUPPORTING RIBS:**

The supporting ribs give a stable support during the installation of the vertical perimeter profiles



The packaging of the supports consists of cardboard boxes. The final packaging of the pallets is made with the wrapping of a polyethylene film. Indoor storage, protected from precipitation, is recommended.

**INSTALLATION METHOD:** The product is laid dry, without the need for adhesives or other types of fixings.

The above data are relevant to current production and may be changed or updated by Eterno Ivica at any time without notice. Given the many possible uses and the possible interference of external elements, we do not assume responsibility for the results. The buyer is required to establish under their own responsibility the suitability of the product for the intended use. This document is property of Eterno Ivica. All rights reserved.