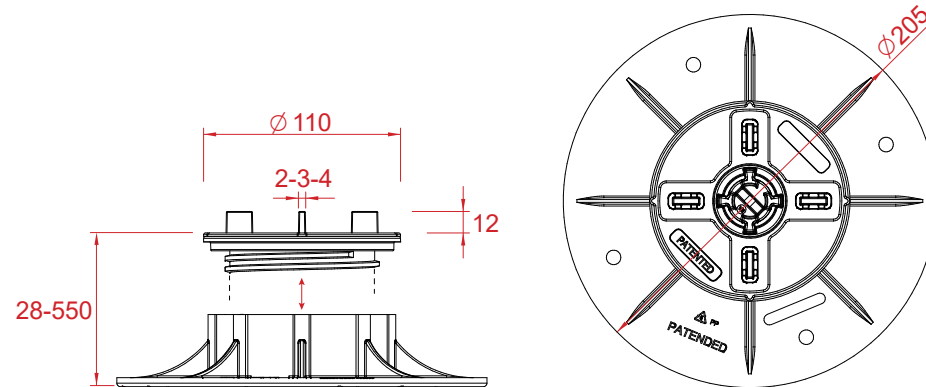




TECHNICAL DATA SHEET

PEDESTAL SE

SELF-EXTINGUISHING UL94 V0



TECHNICAL SPECIFICATION:

Supply and installation of supports for raised floors type "Eterno SELF-EXTINGUISHING UL94 V0", adjustable in height, equipped with bi-material tilting self-leveling head, with anti-noise and anti-slip rubber UL94 V0 finish. The supports are composed of polypropylene UL94 V0 elements consisting of a cylindrical base with a minimum diameter of 205mm, a screw with an adjustable height from 28mm up to 550mm, equipped with an anti-screwing safety lock and a head equipped with N°4 spacer wings, H 12mm, 2-3-4mm thick, easily removable if necessary. In the base there are holes for the outflow of water and N°4 grooves to facilitate the cutting if needed. The height adjustment is carried out using the tailored adjustment key, which acts on the screw independently from both the head and the base. It is possible to increase the height of the supports by using the P1 UL94 V0 extension

CHARACTERISTICS:

Self-extinguishing UL94 V0
Adjustable in height
Bi-component self leveling head (PP UL94 V0 + rubber UL94 V0)
Slope compensation from 0% to 5%
tailored key for height adjustment
Easy removable tabs
Anti-screwing safety lock

RAW MATERIAL:

Polypropylene UL94 V0 and rubber UL94 V0 (head top finishing)

ENVIRONMENTAL IMPACT:

Recyclable material - non dangerous

ICATIONS SURFACES:

On any waterproofing membrane
On any insulating panel
On any compact and solid surfac

APPLICATIONS AREA:

Can be used with any prefabricated self supporting element for outdoor flooring

GENERAL CHARACTERISTICS & PROPERTIES

	UNIT	VALUE	TOLERANCE +/-
BASE DIAMETER	mm	205	+/- 1.0
BASE THICKNESS	mm	5	+/- 0.2
HEAD DIAMETER	mm	110	+/- 0.8
SURFACE OF THE BASE	cmq	330	+/- 5
TABS THICKNESS	mm	2-3-4	+/- 0.2
TABS HEIGHT	mm	12	+/- 0.2
SHORE	Shore d	70	+/- 3
SLOPE CORRECTION	%	5	+/- 0.5
RAW MATERIAL EXTINGUISHING CLASS PP: UL94 V0	mm	1.6	
RAW MATERIAL EXTINGUISHING CLASS TPE: UL94 V0	mm	2.3	
LOW T(°C) REACTION	°C	-40	



PEDESTAL SE

SELF-EXTINGUISHING UL94 V0

SUPERIOR QUALITY FOR BUILDING



ITEMS CHARACTERISTICS & PROPERTIES

SEO_E240028038.V0				PACK/STORAGE	
	UNIT	VALUE	TOLERANCE		
min HEIGHT	mm	28	+/- 1,0	PIECES PER BOX	25
MAX HEIGHT	mm	38	+/- 1,5	BOXES PER PALLET	60
WEIGHT	kg	0.252	+/- 5 %	BOX DIMENSION	40x40x21cm
MAX CENTRAL COMPRESSION RESISTANCE*	kN	19.93	/	BOX WEIGHT	6.4kg
MAX ECCENTRIC COMPRESSION RESISTANCE*	kN	11.61	/	PALLET /Pcs PER PALLET	80x120cm/1500

SE1_E240037050.V0				PACK/STORAGE	
	UNIT	VALUE	TOLERANCE		
min HEIGHT	mm	37.5	+/- 1,0	PIECES PER BOX	25
MAX HEIGHT	mm	50	+/- 1,5	BOXES PER PALLET	48
WEIGHT	kg	0.320	+/- 5 %	BOX DIMENSION	40x40x27cm
MAX CENTRAL COMPRESSION RESISTANCE*	kN	16.06	/	BOX WEIGHT	8kg
MAX ECCENTRIC COMPRESSION RESISTANCE*	kN	11.49	/	PALLET /Pcs PER PALLET	80x120cm/1200

SE2_E240050075.V0				PACK/STORAGE	
	UNIT	VALUE	TOLERANCE		
min HEIGHT	mm	50	+/- 1,0	PIECES PER BOX	25
MAX HEIGHT	mm	75	+/- 1,5	BOXES PER PALLET	48
WEIGHT	kg	0.352	+/- 5 %	BOX DIMENSION	40x40x27cm
MAX CENTRAL COMPRESSION RESISTANCE*	kN	16.47	/	BOX WEIGHT	8.8kg
MAX ECCENTRIC COMPRESSION RESISTANCE*	kN	14.04	/	PALLET /Pcs PER PALLET	80x120cm/1200

SE3_E240075120.V0				PACK/STORAGE	
	UNIT	VALUE	TOLERANCE		
min HEIGHT	mm	75	+/- 1,0	PIECES PER BOX	25
MAX HEIGHT	mm	120	+/- 1,5	BOXES PER PALLET	32
WEIGHT	kg	0.458	+/- 5 %	BOX DIMENSION	39.5x60x26.5cm
MAX CENTRAL COMPRESSION RESISTANCE*	kN	19.55	/	BOX WEIGHT	11.45kg
MAX ECCENTRIC COMPRESSION RESISTANCE*	kN	15.23	/	PALLET /Pcs PER PALLET	80x120cm / 800

SE4_E240120170.V0				PACK/STORAGE	
	UNIT	VALUE	TOLERANCE		
min HEIGHT	mm	120	+/- 1,0	PIECES PER BOX	25
MAX HEIGHT	mm	170	+/- 1,5	BOXES PER PALLET	20
WEIGHT	kg	0.518	+/- 5 %	BOX DIMENSION	39.5x60x42.5cm
MAX CENTRAL COMPRESSION RESISTANCE*	kN	20.98	/	BOX WEIGHT	13kg
MAX ECCENTRIC COMPRESSION RESISTANCE*	kN	17.84	/	PALLET /Pcs PER PALLET	80x120cm / 500

SE5_E240170215.V0				PACK/STORAGE	
	UNIT	VALUE	TOLERANCE		
min HEIGHT	mm	170	+/- 1,0	PIECES PER BOX	25
MAX HEIGHT	mm	215	+/- 1,5	BOXES PER PALLET	20
WEIGHT	kg	0.609	+/- 5 %	BOX DIMENSION	39.5x60x42.5cm
MAX CENTRAL COMPRESSION RESISTANCE*	kN	18.67	/	BOX WEIGHT	15.2kg
MAX ECCENTRIC COMPRESSION RESISTANCE*	kN	14.62	/	PALLET /Pcs PER PALLET	80x120cm / 500



TECHNICAL DATA SHEET
PEDESTAL SE
SELF-EXTINGUISHING UL94 V0

ITEMS CHARACTERISTICS & PROPERTIES

SE6_E240140230.V0	UNIT	VALUE	TOLERANCE	PACK/STORAGE	
min HEIGHT	mm	140	+/- 1,0	PIECES PER BOX	25SE3 + 25P1
MAX HEIGHT	mm	230	+/- 1,5	BOXES PER PALLET	24 + 42
WEIGHT	kg	0.694	+/- 5 %	BOX DIMENSION	39.5x60x26.5cm 39x39x29.5cm
MAX CENTRAL COMPRESSION RESISTANCE*	kN	16.3	/	BOX WEIGHT	11.45kg + 6kg
MAX ECCENTRIC COMPRESSION RESISTANCE*	kN	10.71	/	PALLET /Pcs PER PALLET	80x120cm 600+1050

SE7_E240185275.V0	UNIT	VALUE	TOLERANCE	PACK/STORAGE	
min HEIGHT	mm	185	+/- 1,0	PIECES PER BOX	25SE4 +25 P1
MAX HEIGHT	mm	275	+/- 1,5	BOXES PER PALLET	20 / 42
WEIGHT	kg	0.754	+/- 5 %	BOX DIMENSION	39.5x60x42.5cm 39x39x29.5cm
MAX CENTRAL COMPRESSION RESISTANCE*	kN	16.14	/	BOX WEIGHT	13kg + 6kg
MAX ECCENTRIC COMPRESSION RESISTANCE*	kN	12.28	/	PALLET /Pcs PER PALLET	80x120cm 500+1050

SE8_E240235325.V0	UNIT	VALUE	TOLERANCE	PACK/STORAGE	
min HEIGHT	mm	235	+/- 1,0	PIECES PER BOX	25SE5 + 25P1
MAX HEIGHT	mm	325	+/- 1,5	BOXES PER PALLET	20 / 42
WEIGHT	kg	0.845	+/- 5 %	BOX DIMENSION	39.5x60x42.5cm 39x39x29.5cm
MAX CENTRAL COMPRESSION RESISTANCE*	kN	15.02	/	BOX WEIGHT	15.2kg + 6kg
MAX ECCENTRIC COMPRESSION RESISTANCE*	kN	12.68	/	PALLET /Pcs PER PALLET	80x120cm 500+1050

SE9_E240205345.V0	UNIT	VALUE	TOLERANCE	PACK/STORAGE	
min HEIGHT	mm	205	+/- 1,0	PIECES PER BOX	25SE3+25P1(X2)
MAX HEIGHT	mm	345	+/- 1,5	BOXES PER PALLET	24 / 42(X2)
WEIGHT	kg	0.93	+/- 5 %	BOX DIMENSION	39.5x60x26.5cm 39x39x29.5cm
MAX CENTRAL COMPRESSION RESISTANCE*	kN	15.32	/	BOX WEIGHT	11.45kg+6kg(X2)
MAX ECCENTRIC COMPRESSION RESISTANCE*	kN	11.01	/	PALLET /Pcs PER PALLET	80x120cm 600+2100

SE10_E240250385.V0	UNIT	VALUE	TOLERANCE	PACK/STORAGE	
min HEIGHT	mm	250	+/- 1,0	PIECES PER BOX	25SE4+25P1(X2)
MAX HEIGHT	mm	385	+/- 1,5	BOXES PER PALLET	20 / 42(X2)
WEIGHT	kg	0.99	+/- 5 %	BOX DIMENSION	39.5x60x42.5cm 39x39x29.5cm
MAX CENTRAL COMPRESSION RESISTANCE*	kN	14.95	/	BOX WEIGHT	13kg+6kg(X2)
MAX ECCENTRIC COMPRESSION RESISTANCE*	kN	12.30	/	PALLET /Pcs PER PALLET	80x120cm 500+2100

SE11_E240300400.V0	UNIT	VALUE	TOLERANCE	PACK/STORAGE	
min HEIGHT	mm	300	+/- 1,0	PIECES PER BOX	25SE5+25P1(X2)
MAX HEIGHT	mm	400	+/- 1,5	BOXES PER PALLET	20 / 42(X2)
WEIGHT	kg	1.08	+/- 5 %	BOX DIMENSION	39.5x60x42.5cm 39x39x29.5cm
MAX CENTRAL COMPRESSION RESISTANCE*	kN	15.02	/	BOX WEIGHT	15.2kg+6kg(X2)
MAX ECCENTRIC COMPRESSION RESISTANCE*	kN	13.81	/	PALLET /Pcs PER PALLET	80x120cm 500+2100



TECHNICAL DATA SHEET

PEDESTAL SE

SELF-EXTINGUISHING UL94 V0



ITEMS CHARACTERISTICS & PROPERTIES

SE12_E240270455.V0	UNIT	VALUE	TOLERANCE	PACK/STORAGE	
min HEIGHT	mm	270	+/- 1,0	PIECES PER BOX	25SE3+25P1(X3)
MAX HEIGHT	mm	455	+/- 1,5	BOXES PER PALLET	24 / 42(X3)
WEIGHT	kg	1.17	+/- 5 %	BOX DIMENSION	39.5x60x26.5cm 39x39x29.5cm
MAX CENTRAL COMPRESSION RESISTANCE*	kN	15.85	/	BOX WEIGHT	11.45kg+6kg(X3)
MAX ECCENTRIC COMPRESSION RESISTANCE*	kN	11.13	/	PALLET /Pcs PER PALLET	80x120cm 600+3150

SE13_E240315500.V0	UNIT	VALUE	TOLERANCE	PACK/STORAGE	
min HEIGHT	mm	315	+/- 1,0	PIECES PER BOX	25SE4+25P1(X3)
MAX HEIGHT	mm	500	+/- 1,5	BOXES PER PALLET	20 / 42(X3)
WEIGHT	kg	1.23	+/- 5 %	BOX DIMENSION	39.5x60x42.5cm 39x39x29.5cm
MAX CENTRAL COMPRESSION RESISTANCE*	kN	16.06	/	BOX WEIGHT	13kg+6kg(X3)
MAX ECCENTRIC COMPRESSION RESISTANCE*	kN	11.49	/	PALLET /Pcs PER PALLET	80x120cm 500+3150

SE14_E240365550.V0	UNIT	VALUE	TOLERANCE	PACK/STORAGE	
min HEIGHT	mm	365	+/- 1,0	PIECES PER BOX	25SE5+25P1(X3)
MAX HEIGHT	mm	550	+/- 1,5	BOXES PER PALLET	20 / 42(X3)
WEIGHT	kg	1.32	+/- 5 %	BOX DIMENSION	39.5x60x42.5cm 39x39x29.5cm
MAX CENTRAL COMPRESSION RESISTANCE*	kN	16.07	/	BOX WEIGHT	15.2kg+6kg(X3)
MAX ECCENTRIC COMPRESSION RESISTANCE*	kN	11.92	/	PALLET /Pcs PER PALLET	80x120cm 500+3150

*Tests made by Civil and Environmental Department of University of Padova. 1 kN = 102 kg

The packaging of the supports consists of cardboard boxes. The final packaging of the pallets is made with the wrapping of a polyethylene film. Indoor storage, protected from precipitation, is recommended.

INSTALLATION METHOD: The product is laid dry, without the need for adhesives or other types of fixings.

The above data are relevant to current production and may be changed or updated by Eterno Ivica at any time without notice. Given the many possible uses and the possible interference of external elements, we do not assume responsibility for the results. The buyer is required to establish under their own responsibility the suitability of the product for the intended use. This document is property of Eterno Ivica. All rights reserved.